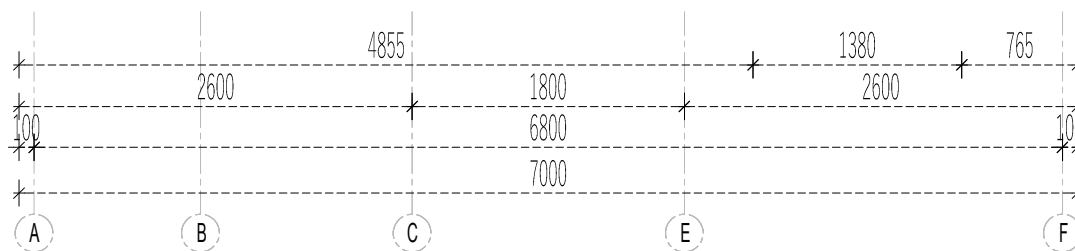
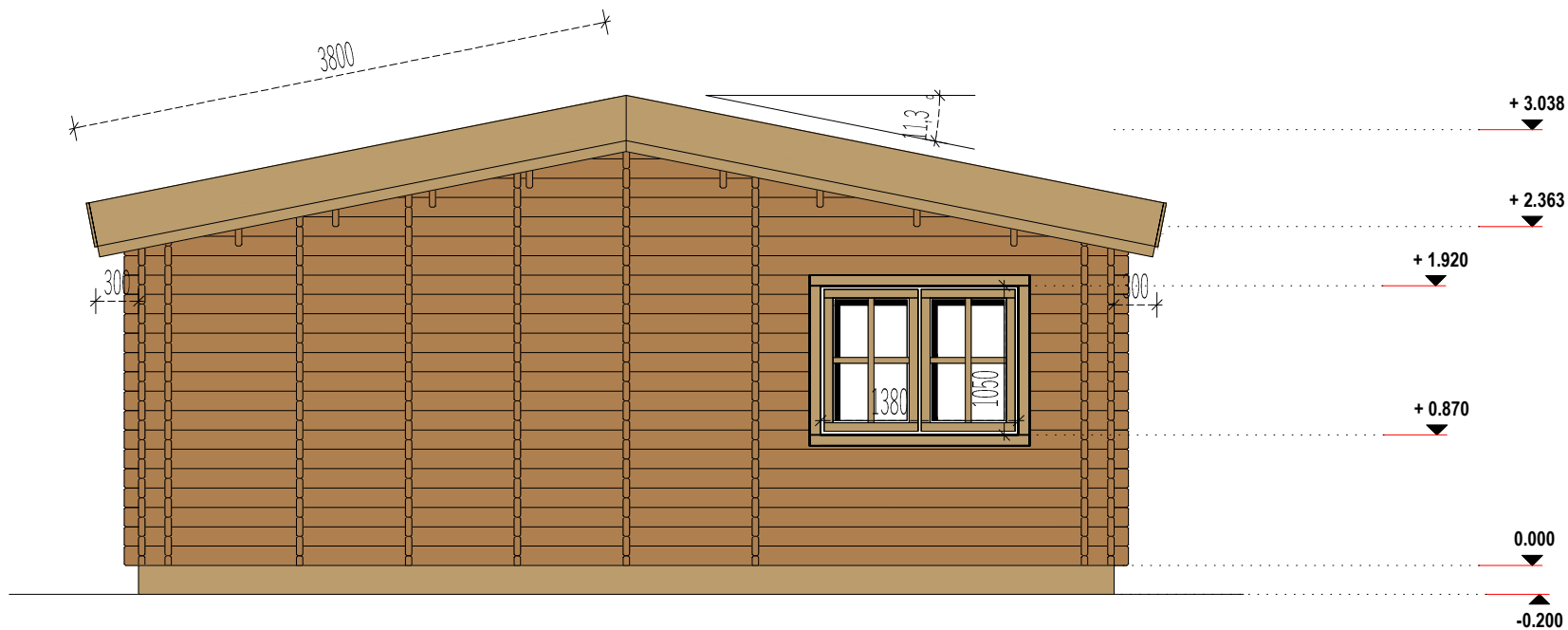


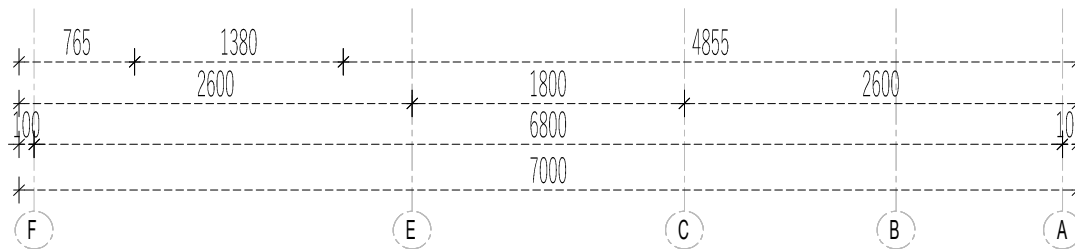
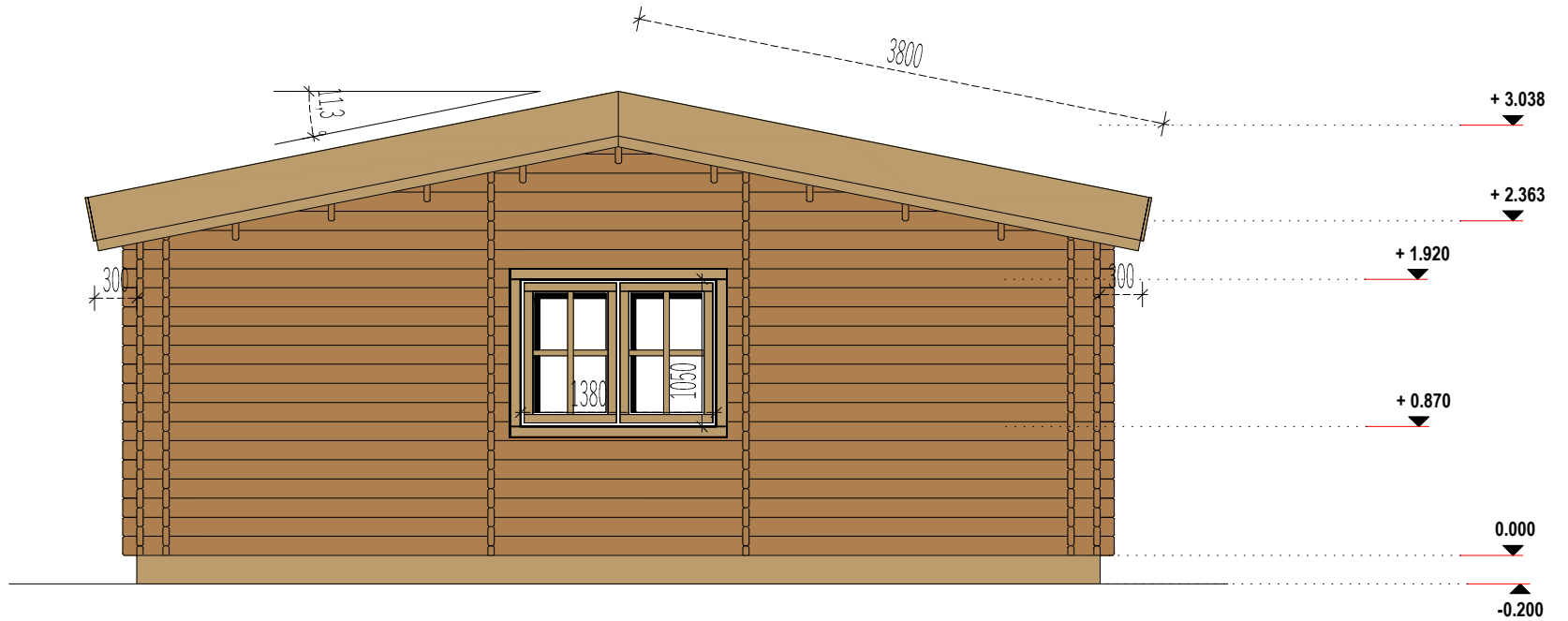
	Project Nr.				Interior area	56.70 m²	Wall thickness	44+140+44	T.S.	Paper size / scale	A3 / 1:50
	L_66455				Built - up area	5.00 m²	Built height	min	2363		
	2021-03-30	Name	Date	Roof angle	11.3 °	max		3038			
				Roof area	82.50 m²	▲		742			
					Description	FLOOR PLAN					

All rights reserved. Any unauthorized changes to the drawing are strictly prohibited.



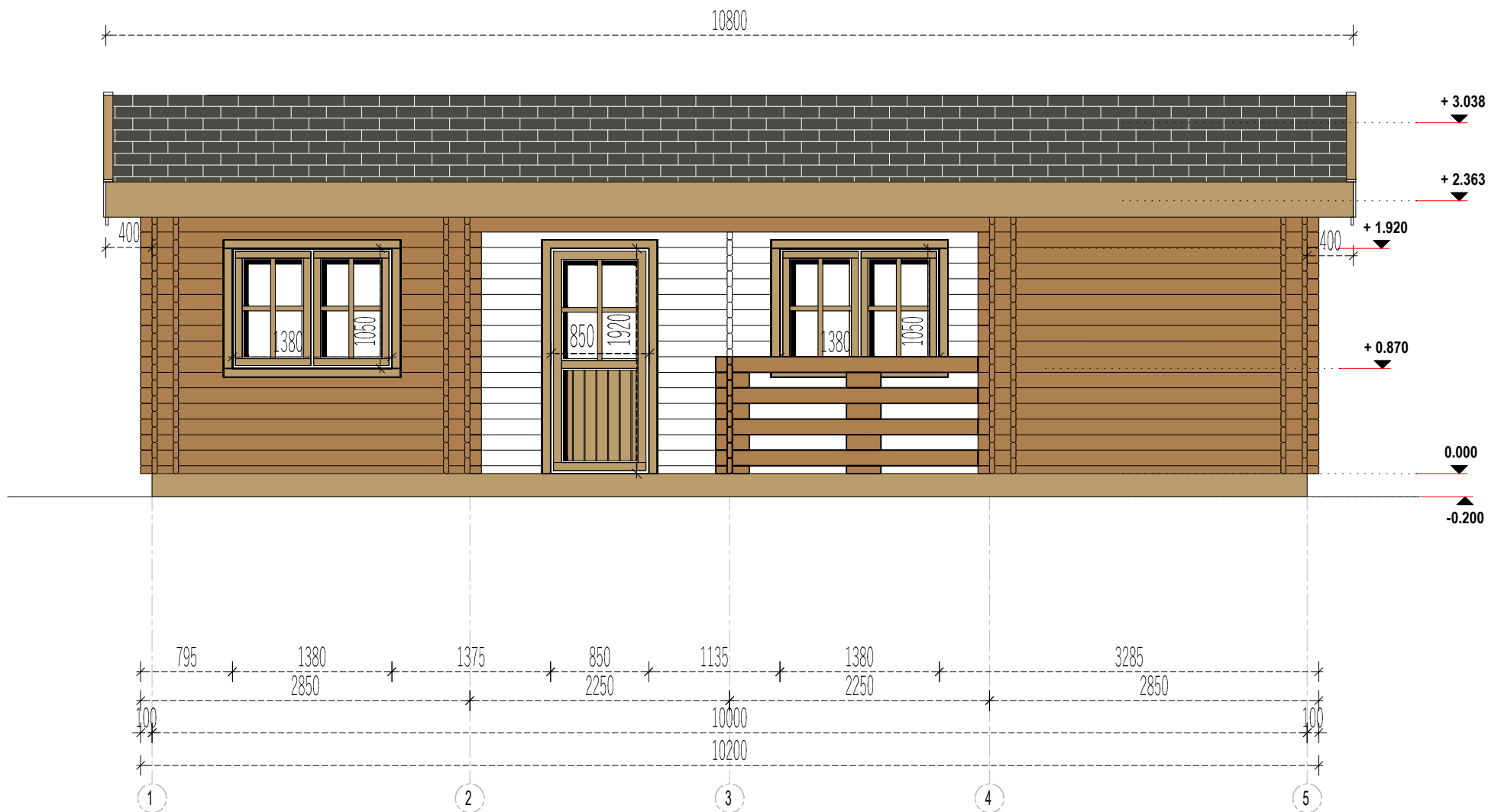
	Project Nr.				Interior area	56.70 m²	Wall thickness	44+140+44	T.S.	Paper size / scale	A4 / 1:50
	L_66455				Built - up area	5.00 m²	Built height	min	2363	1 cm - 0.50 meter 0 1.00 m 2.00 m 3.00 m 	
	2021-03-30	Name	Date		Roof angle	11.3 °		max	3038		
					Roof area	82.50 m²		▲	742		
					Description			FACADE A-F			




All rights reserved. Any unauthorized changes to the drawing are strictly prohibited.



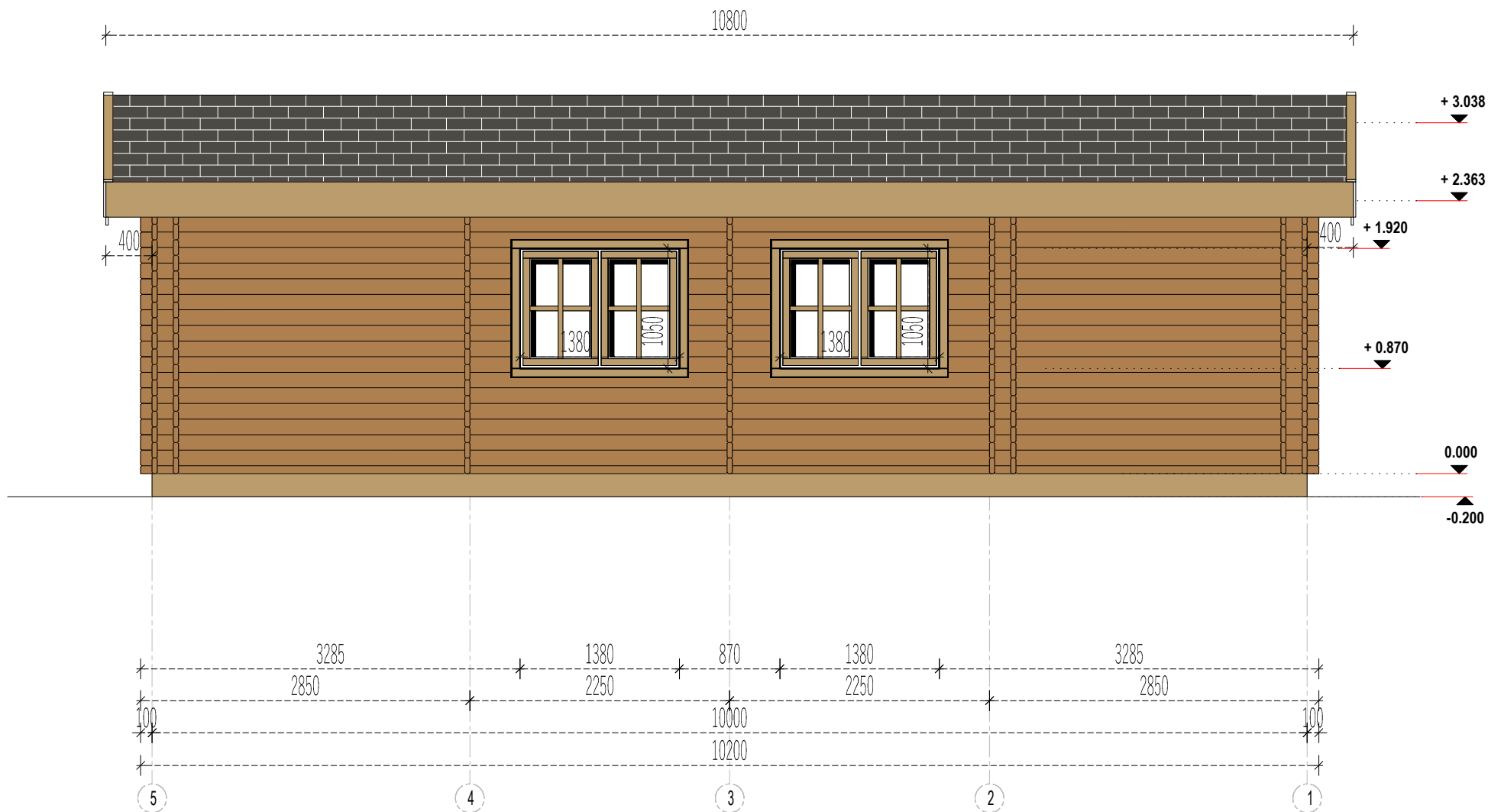
	Project Nr.				Interior area	56.70 m²	Wall thickness	44+140+44	T.S.	Paper size / scale	A4 / 1:50
	L_66455				Built - up area	5.00 m²	Built height	min	2363	1 cm - 0.50 meter 0 1.00 m 2.00 m 3.00 m 2 cm 4 cm 6 cm	
	2021-03-30	Name	Date		Roof angle	11.3 °		max	3038		
					Roof area	82.50 m²		▲	742		
					Description	FACADE F-A					


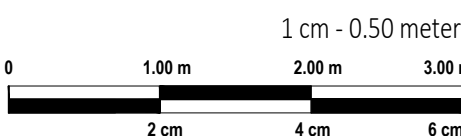
All rights reserved. Any unauthorized changes to the drawing are strictly prohibited.



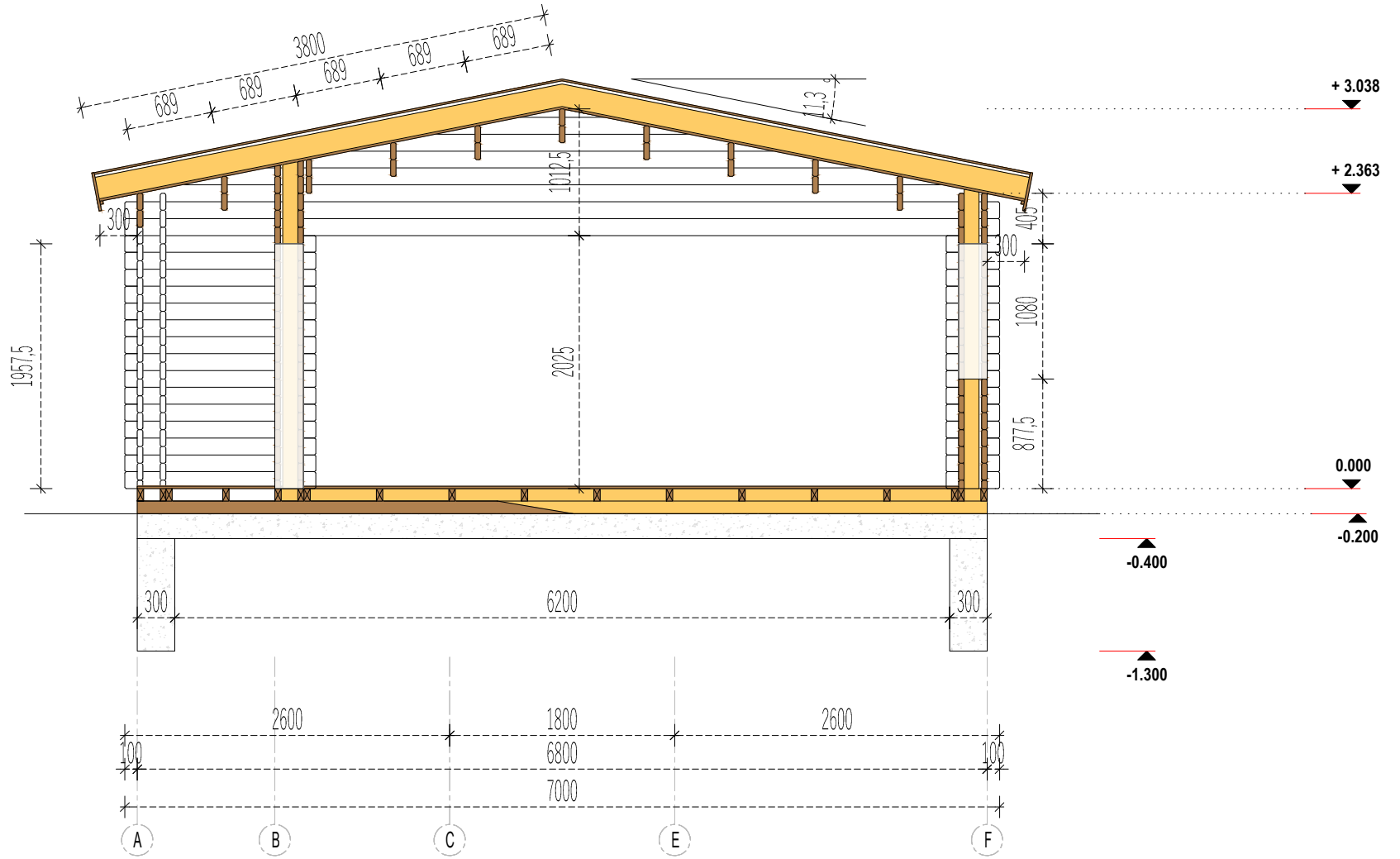
	Project Nr.				Interior area	56.70 m²	Wall thickness	44+140+44	T.S.	Paper size / scale	A4 / 1:50
	L_66455				Built - up area	5.00 m²	Built height	min	2363	1 cm - 0.50 meter  	
	2021-03-30	Name	Date		Roof angle	11.3 °		max	3038		
					Roof area	82.50 m²		▲	742		
					Description	FAÇADE 1-5					

All rights reserved. Any unauthorized changes to the drawing are strictly prohibited.



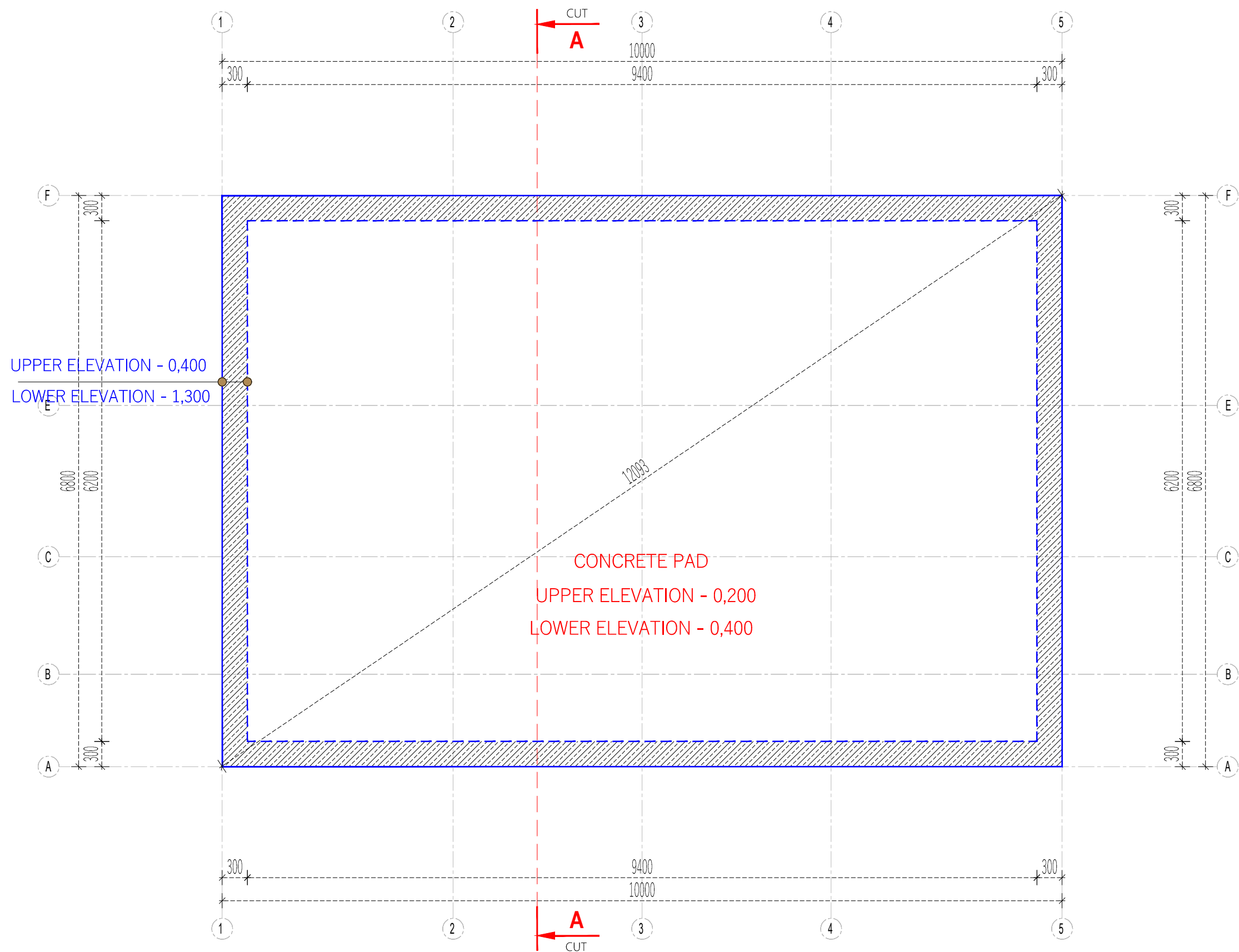
	Project Nr.			Interior area	56.70 m²	Wall thickness	44+140+44	T.S.	Paper size / scale	A4 / 1:50
	L_66455			Built - up area	5.00 m²	Built height	min	2363		
	2021-03-30	Name	Date	Roof angle	11.3 °		max	3038		
				Roof area	82.50 m²		▲	742		
	Description				FACADE 5-1					

All rights reserved. Any unauthorized changes to the drawing are strictly prohibited.



Project Nr.				Interior area	56.70 m²	Wall thickness	44+140+44	T.S.	Paper size / scale	A4 / 1:50
L_66455				Built - up area	5.00 m²	Built height	min	2363	1 cm - 0.50 meter 	
2021-03-30	Name	Date		Roof angle	11.3 °		max	3038		
				Roof area	82.50 m²		▲	742		
Description				SECTION A-A						

All rights reserved. Any unauthorized changes to the drawing are strictly prohibited.

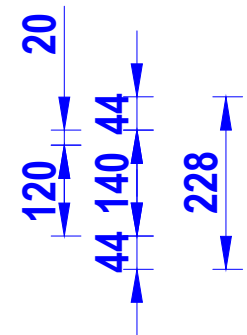
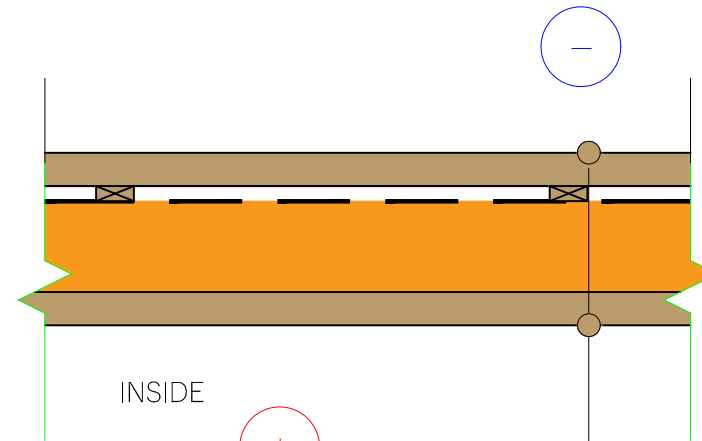
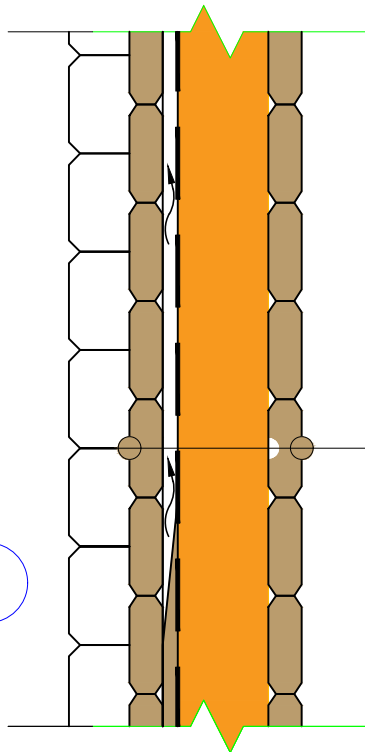
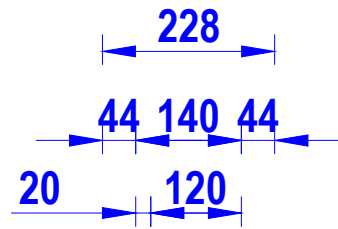


	Project Nr.				Interior area	56.70 m²	Wall thickness	44+140+44	T.S.	Paper size / scale	A3 / 1:50
	L_66455				Built - up area	5.00 m²	Built height	min	2363		
	2021-03-30	Name	Date	Roof angle	11.3 °	max		3038			
				Roof area	82.50 m²	▲		742			
				Description	FOUNDATION PLAN						

ISO 120
 U-value: 0,16 W/m²K

OUTSIDE

Scale 1:10 @ A4



INSIDE

- WALLBOARD 44x135MM,
- BUILT UP WALL 20X50MM
- VENTILATED CAVITY BETWEEN JOISTS 20MM,
- BREATHER MEMBRANE,
- ISOLATION, $\lambda = 0.022 \text{ W/(M/K)}$, 120MM,
- WALLBOARD 44x135MM,

(Optional) Not Supplied with the product,

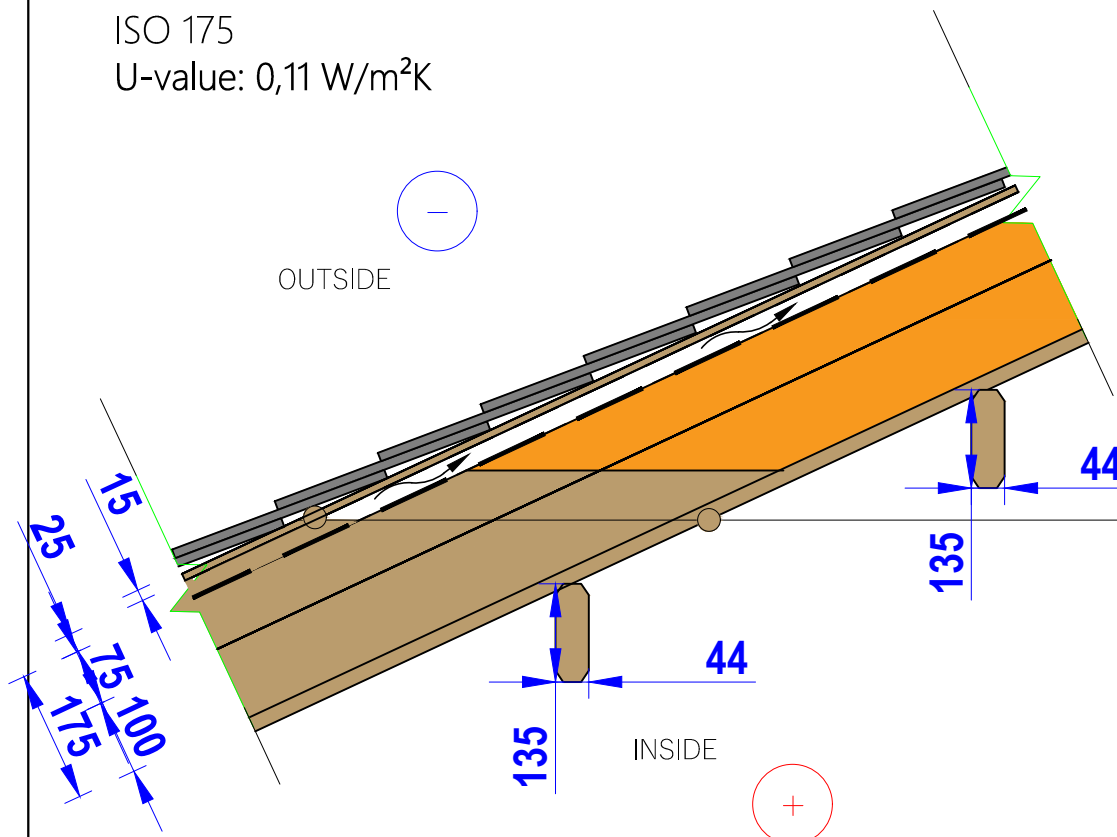
OUTSIDE

INSIDE

	2019	Interior area		Wall thickness		L.P.	Paper size / scale	A4 / 1:50
	ISO 120 U-value: 0,16 W/m ² K	Built-up area		Built height	min			
		Roof angle			max			
	WALL	Roof area			▲			

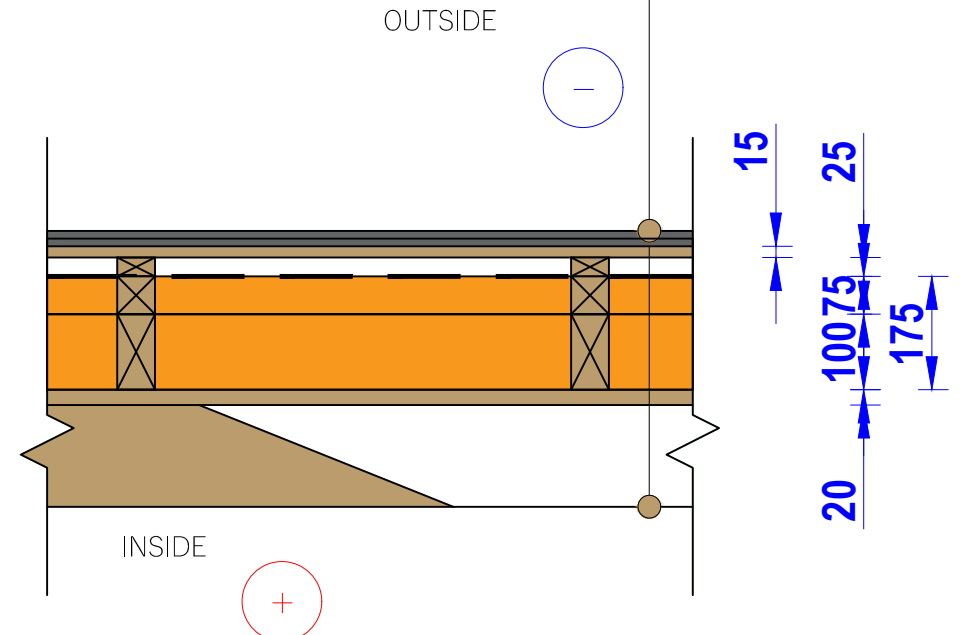
ISO 175
U-value: 0,11 W/m²K

Scale 1:10 @ A4



BITUMEN SHINGLES,
OSB 15MM,
BUILT , UP ROOFING 50X25MM,
VENTILATED CAVITY BETWEEN JOISTS 25MM,
BREATHER MEMBRANE,
BUILT , UP ROOFING 50X75MM,
ISOLATION, $\Lambda = 0.022W/(M/K)$,75MM,
BUILT , UP ROOFING 50X100MM,
ISOLATION, $\Lambda = 0.022W/(M/K)$,100MM,
TONGUE AND GROOVE ROOFBOARDS 20MM,
ROOF RAFTERS 44X135MM,.

(Optional) Not Supplied with the product.



	2019	Interior area		Wall thickness		L.P.	Paper size / scale	A4 / 1:50
	ISO 175 U-value: 0,11 W/m ² K	Built-up area		Built height	min			
	ROOF	Roof angle			max			
		Roof area			▲			

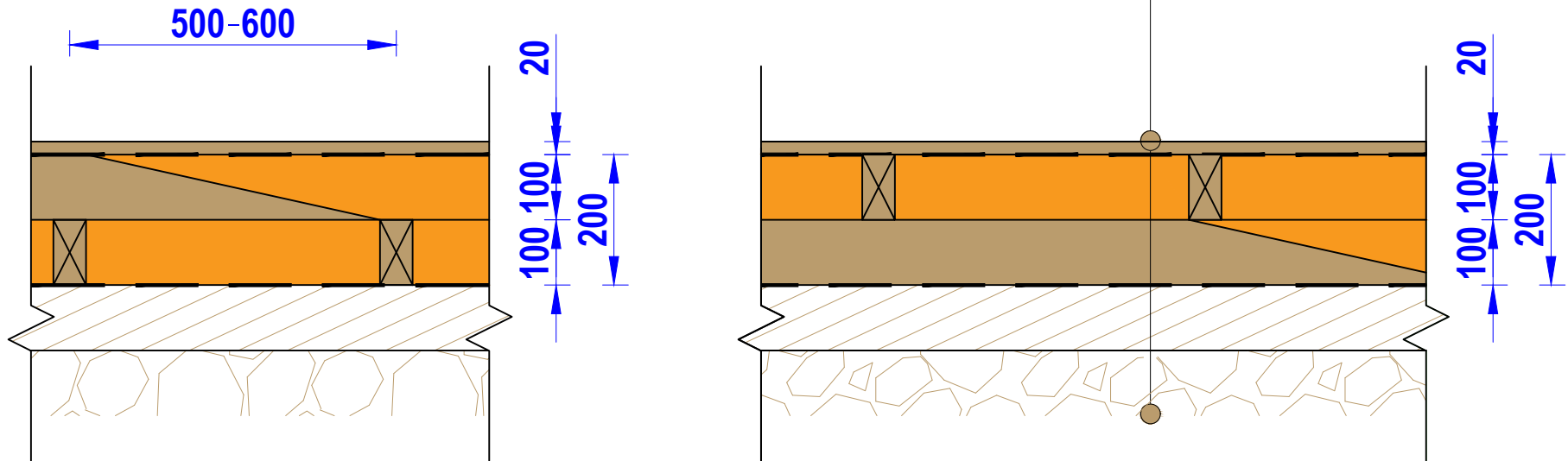
ISO 200
 U-value: 0,11 W/m²K

Scale 1:10 @ A4

TONGUE AND GROOVE FLOORBOARDS 20MM,
 BREATHER MEMBRANE,
 BUILT UP FLOORING, 50X100MM,
 ISOLATION, $\Lambda = 0.022\text{W}/(\text{M}/\text{K}), 100\text{MM},$
 BUILT UP FLOORING, 50X100MM,
 ISOLATION, $\Lambda = 0.022\text{W}/(\text{M}/\text{K}), 100\text{MM},$
 WATERPROOF MEMBRANE,
 CONCRETE,
 HARDCORE.

(Optional) Not Supplied with the product,

(Optional) Not Supplied with the product,



	2019	Interior area		Wall thickness		L.P.	Paper size / scale	A4 / 1:50
	ISO 200 U-value: 0,11 W/m ² K	Built-up area		Built height	min	0 1 m 2 m 3 m 4 m		
		Roof angle			max			
FLOOR	Roof area		▲					